

2000 **WINDSTAR**
Table of Contents

Hiller Ford Inc.
6455 South 108 Street
Franklin, WI 53132

www.hillerford.com

Overview

Introducing Windstar	1
What's Changed for 2000	1
Key Brand Attributes	2
Competitive Overview	4

Presentation

Safety/Security	7
Comfort/Convenience	11
Performance/Handling.....	15
Quality/Reliability/Durability.....	16
Design/Styling	17

Reference

Audio	18	Instrument Features	26
Ford Accessories	21	Dimensions	27
Capacity and Performance Specifications.....	23	Technical Specifications	29
Wheel Features	24	Ordering Guide Information	
Seat Trim Availability.....	25	Competitive Comparisons	
		(Information will be delivered as soon as it becomes available.)	

2000 WINDSTAR

Introducing Windstar

Hiller Ford Inc.
6455 South 108 Street
Franklin, WI 53132

www.hillerford.com

Essence of the Brand:

Windstar is the minivan caring parents implicitly trust to safely transport their most prized possessions — their children. It's no wonder they turn to Windstar — it's the only minivan to earn a quad five-star government crash test rating.⁽¹⁾ Add that to the versatility and power of Windstar, and you have a vehicle that's almost a member of the family.

Product Choices:

- Windstar Wagon (3-Door or 4-Door)
- Windstar LX Wagon (3-Door or 4-Door)
- Windstar SE Wagon
- Windstar SEL Wagon
- Windstar Cargo Van

What's Changed for 2000

New Items	Deleted Items
<p>Model/Series Availability</p> <ul style="list-style-type: none"> • 3.0L model nomenclature changed to Windstar <p>Interior</p> <ul style="list-style-type: none"> • Seatback utility hooks added to third-row seat <p>Options</p> <ul style="list-style-type: none"> • 16" steel wheels and P225/60R16 tires for full-size spare tire with 16" wheel/tire applications • Rear-seat entertainment system 	<p>Exterior</p> <ul style="list-style-type: none"> • Front passenger door lock cylinder deleted when Remote Keyless Entry System is ordered <p>Interior</p> <ul style="list-style-type: none"> • "SEL" logo deleted from floor mats and head restraints • One interior color deleted: <ul style="list-style-type: none"> – Dark Denim (R) <p>Options</p> <ul style="list-style-type: none"> • Instantaneous fuel readout deleted from message center

(1) For side-impact crash test, Windstar was equipped with optional side-impact airbags.

NOTE: Refer to CONCEPS for the most current exterior and interior color and trim availability, as well as the color chip page for actual color reference.

2000 WINDSTAR Key Brand Attributes

Hiller Ford Inc.
6455 South 108 Street
Franklin, WI 53132

www.hillerford.com

When family is the top priority, parents take their roles seriously and want to do all they can to care for their kids. So naturally their vehicle has a big job to do. First and foremost, it has to provide advanced safety features to protect the children.



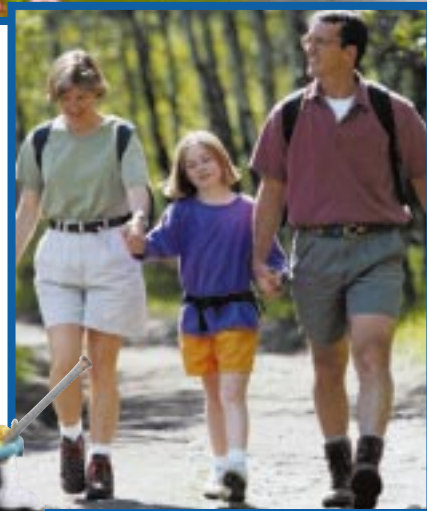
Peace of Mind for Parents

- The first and only vehicle to receive quad five-star government crash test ratings. Windstar received dual five-star ratings for driver and front passenger protection in a frontal crash test and dual five-star ratings for front- and rear-seat side-impact protection⁽¹⁾
- Standard four-wheel Anti-lock Braking System (ABS)
- Second Generation Driver and Front Passenger Airbag Supplemental Restraint System (SRS)
- Sliding side doors with child-safety locks

Versatility

- Optional Reverse Sensing System
- Available driver's- and passenger's-side power sliding side doors
- Rear-seat entertainment system
- Available second-row indexing bench seat on 4-Door models
- Available rollers on second- and third-row bench seats

A vehicle has to keep up with today's family's active lifestyle. It has to be able to haul materials for the latest home improvement project, take the team to hockey practice and hold everything for a weekend at the cabin. If a vehicle can do all that, and make life a little easier, it can't get any better than that.



(1) For side-impact crash test, Windstar was equipped with optional side-impact airbags.

To earn trust, a vehicle has to come through in the power and performance department. Because the power has to be there when it's needed — for passing or merging onto the freeway. It's a matter of confidence.



Confident Power

- 3.0L OHV V-6 engine delivers 150 horsepower and 186 lb.-ft. of torque
- 3.8L split-port induction V-6 engine produces 200 horsepower and 240 lb.-ft. of torque
- Responsive power rack-and-pinion steering
- Independent MacPherson strut front suspension combined with twist-beam rear axle



2000 WINDSTAR Competitive Overview

Hiller Ford Inc.
6455 South 108 Street
Franklin, WI 53132

www.hillerford.com

Key Competitors ⁽¹⁾	
Chevrolet Venture	"A time champion for the time-challenged"
Oldsmobile Silhouette	"The tools to please all of the people, all of the time"
Pontiac Montana	"The minivan with wide open spaces and rugged versatility"
Dodge Grand Caravan	"We thought of everything"
Toyota Sienna	"Quality you can count on every day"
Honda Odyssey	"The minivan others will hope to be like someday"

Overview of the Competitive Lineup⁽¹⁾

Chevrolet Venture

Venture Base Minivan
 Venture LS Mid-line Minivan
 Venture LT High-line Minivan

Oldsmobile Silhouette

Silhouette GL Base Minivan
 Silhouette GS Mid-line Minivan
 Silhouette GLS Mid-line Minivan
 Silhouette Premiere High-line Minivan

Pontiac Montana

Montana Regular
 Wheelbase 3-Door Base Minivan
 Montana Regular
 Wheelbase 4-Door Mid-line Minivan
 Montana Extended
 Wheelbase 4-Door High-line Minivan

Dodge Grand Caravan

Grand Caravan Base Minivan
 Grand Caravan SE Mid-line Minivan
 Grand Caravan Sport Mid-line Minivan
 Grand Caravan LE High-line Minivan
 Grand Caravan ES High-line Minivan

Toyota Sienna

Sienna CE Base Minivan
 Sienna LE Mid-line Minivan
 Sienna XLE High-line Minivan

Honda Odyssey

Odyssey LX Base Minivan
 Odyssey EX High-line Minivan

(1) Based on 1999 competitive information.

How to Sell Against⁽¹⁾...

Chevrolet Venture

What They're Saying...	Your Response...
<ul style="list-style-type: none"> Venture offers available four doors and an available power sliding passenger's-side door 	<ul style="list-style-type: none"> Windstar offers 4-Door models and dual power sliding side doors are available
<ul style="list-style-type: none"> Venture includes standard side airbags and Daytime Running Lights for added safety 	<ul style="list-style-type: none"> Windstar was the first minivan to earn the government's five-star frontal and side-impact crash test ratings⁽²⁾
<ul style="list-style-type: none"> The OnStar® Communications System is available on Venture 	<ul style="list-style-type: none"> Windstar has the available Reverse Sensing System for added convenience when parking

Dodge Grand Caravan

What They're Saying...	Your Response...
<ul style="list-style-type: none"> Grand Caravan was the first domestic minivan to offer dual sliding side doors 	<ul style="list-style-type: none"> Dual power sliding side doors are available on 4-Door Windstar models
<ul style="list-style-type: none"> Grand Caravan was the first domestic minivan to offer easily removable rear seats 	<ul style="list-style-type: none"> The Enhanced Seating Group available on Windstar features rollers on the second- and third-row bench seats
<ul style="list-style-type: none"> They thought of everything 	<ul style="list-style-type: none"> Windstar has the available Reverse Sensing System and optional side-impact airbags, which are not found on Grand Caravan

Oldsmobile Silhouette

What They're Saying...	Your Response...
<ul style="list-style-type: none"> Silhouette has standard dual sliding doors and an available power passenger's-side sliding door 	<ul style="list-style-type: none"> Dual power sliding side doors are available on Windstar, but are not available on Silhouette
<ul style="list-style-type: none"> Silhouette includes standard side airbags and Daytime Running Lights for added safety 	<ul style="list-style-type: none"> Windstar was the first minivan to earn the government's five-star frontal and side-impact crash test ratings⁽²⁾
<ul style="list-style-type: none"> High-line Premiere models have an available video entertainment system 	<ul style="list-style-type: none"> Windstar has an available Cassette/CD radio with personal audio system and the available Rear-seat Entertainment System

For more information, refer to www.oldsmobile.com

Toyota Sienna

What They're Saying...	Your Response...
<ul style="list-style-type: none"> Sienna has the government's five-star frontal crash test rating⁽⁴⁾ 	<ul style="list-style-type: none"> Windstar is the first and only vehicle to receive the government's five-star frontal and side-impact crash test ratings⁽²⁾
<ul style="list-style-type: none"> Toyota gives customers quality they can count on every day 	<ul style="list-style-type: none"> Ford stands behind Windstar quality with a 3-year/36,000-mile New Vehicle limited warranty including bumper-to-bumper coverage and 5-year/unlimited-mileage Corrosion Perforation coverage
<ul style="list-style-type: none"> Sienna offers an available fourth door and rear-seat climate controls 	<ul style="list-style-type: none"> Windstar offers 4-Door models, and dual power sliding side doors are available

For more information, refer to www.toyota.com

Pontiac Montana

What They're Saying...	Your Response...
<ul style="list-style-type: none"> Montana offers available four doors and an available power sliding passenger's-side door 	<ul style="list-style-type: none"> Windstar offers 4-Door models and available dual power sliding side doors (not found on Montana)
<ul style="list-style-type: none"> Montana includes standard side airbags, self-sealing tires and Daytime Running Lights for added safety 	<ul style="list-style-type: none"> Windstar was the first minivan to earn the government's five-star frontal and side-impact crash test ratings⁽²⁾
<ul style="list-style-type: none"> The OnStar Communications System is available on Montana 	<ul style="list-style-type: none"> Windstar has the available Reverse Sensing System for added convenience in parking

For more information, refer to www.pontiac.com

Honda Odyssey

What They're Saying...	Your Response...
<ul style="list-style-type: none"> Odyssey offers available dual power sliding side doors and available automatic climate control 	<ul style="list-style-type: none"> Windstar offers available dual power sliding side doors and the available Reverse Sensing System for added convenience
<ul style="list-style-type: none"> Odyssey has a unique third-row seat that folds and retracts into the floor 	<ul style="list-style-type: none"> The Enhanced Seating Group available on Windstar features rollers on the second- and third-row bench seats
<ul style="list-style-type: none"> Safety is our highest priority 	<ul style="list-style-type: none"> Windstar was the first minivan to earn the government's five-star frontal and side-impact crash test ratings⁽²⁾

For more information, refer to www.honda.com

(1) Based on 1999 competitive information.

(2) For side-impact crash test, Windstar was equipped with optional side-impact airbags.

What Windstar Customers Are Saying...

Windstar is a winner with its combination of safety and security features. And the five-star government crash test ratings carry a lot of weight because that's an impartial source.

So many thoughtful features make life as a mom easier — like the conversation mirror and the “sleeping baby mode” light.

Windstar is really the best of both worlds. It hauls things like a truck, but it handles like a car.

Even when the kids are grown, couples like the Windstar for taking friends along on weekend antiquing jaunts.

Why Windstar?

1. Windstar was the first and only vehicle to receive a quad five-star government crash test rating. A dual five-star rating was earned for driver and front passenger in a frontal crash test and an additional dual five-star rating for front and rear seat side-impact protection.⁽¹⁾
2. Windstar offers available dual power sliding side doors.
3. Windstar has the available Reverse Sensing System for convenience when parking or backing up.
4. Windstar has optional side-impact airbags for added safety.
5. Windstar has the flexibility of second-row bench seat indexing and a third-row bench seat with easy-to-move rollers.

(1) For side-impact crash test, Windstar was equipped with optional side-impact airbags.

This year's Source Book presents Windstar features and benefits in five key purchase motivator categories.

These categories — Safety/Security, Comfort/Convenience, Performance/Handling, Quality/Reliability/Durability and Design/Styling — are provided in each vehicle section of this book. Their length and order may vary, depending on their relevance to the individual vehicle. This format replaces the previous six-position Walkaround, and allows you to easily find and present information as it relates to the customer.

Quad five-star ratings

- Windstar is the first and only vehicle to earn dual five-star ratings for driver and passenger protection in a frontal crash test, and dual five-star ratings for front and rear door side-impact protection⁽¹⁾
- Windstar earned five-star ratings for driver and passenger in frontal crash tests five years in a row
- A five-star rating indicates there is a 10 percent or less chance of serious injury to occupants in the event of a frontal or side-impact collision
- Five stars is the highest rating possible
- This rating is issued by the National Highway Traffic Safety Administration (NHTSA) under its New Car Assessment Program
- Government crash test data is useful only in comparing models within 500 lbs.



Standard front disc/rear drum brakes with four-wheel Anti-lock Braking System (ABS)

Standard on all models

- Help prevent braking-induced wheel lockup on a variety of road surfaces to enhance steering control
- ABS computer-controlled sensors prevent wheels from locking up, even when the driver presses hard on the brake pedal
- Sensors continuously monitor the speed of each wheel. When impending wheel lockup is detected, the computer signals the hydraulic control unit to apply and release (automatically “pumping”) the brakes several times per second with split-second timing, providing a level of braking efficiency that even professional race car drivers cannot duplicate, and resulting in greater braking and steering control
- Four-channel ABS operates similarly to the three-channel system, except that both rear wheels are monitored and operated separately
- A computer continuously monitors the ABS for malfunctions. Should a problem develop, an instrument panel light alerts the driver that the ABS computer has shut down and the brakes have been returned to normal, non-ABS operation
- The driver should not pump the brakes in a vehicle equipped with ABS. This would only defeat the system and increase stopping distances. For best performance, the driver should apply maximum pedal pressure. When using ABS, the driver may feel a slight pulsing sensation; this is completely normal


➤ *If space is available, demonstrate ABS in your parking lot or on an empty stretch of roadway. Apply the brakes quickly and have the customer listen for unfamiliar sounds associated with ABS. Then have the customer test the ABS to familiarize themselves with the normal brake pedal pulsation.*

(1) For side-impact crash test, Windstar was equipped with optional side-impact airbags.

All-Speed Traction Control

Included in Family Security Package

- Excellent feature, especially in cold climates where it helps prevent wheel slippage on ice and other slippery surfaces
- Uses an onboard high-speed communication network that connects several vehicle computers
- Searches for optimum traction at each drive wheel several times per second and makes adjustments accordingly
- Automatically senses wheel slippage at any speed. It then helps improve traction on slippery or loose driving surfaces by controlling the amount of torque sent to the drive wheels, using a combination of:
 - Braking at one or both drive wheels (works through ABS to pulse the brake calipers at the drive wheels)
 - Fuel injection reduction (reduces the amount of fuel delivered to the engine)
 - Ignition spark retard (causes slower combustion to occur)
 - Controlling air/fuel ratio (provides a leaner air/fuel mixture)

 *During the test-drive, direct your customer to a dirt road and ask them to drive slowly. Then have the customer accelerate quickly. Point out how the Traction Control light illuminates, and then explain how the system helps maintain traction and steering control on slippery surfaces.*

“Safety cell” construction

Standard on all models

- Integrated body structure designed to help protect occupants in the event of a collision

Side door intrusion beams

Standard on all models

- Help to reinforce side door structure for enhanced safety

Right-hand sliding side door with child-safety lock

Standard on all models


- Allows easy access to the vehicle’s spacious passenger compartment
- When activated, the child-safety lock disables the interior door handle to prevent rear-seat occupants from opening the sliding side door from inside
- A right-hand power sliding door is optional on LX and SE

Driver’s-side sliding side door with child-safety lock

Standard on all 4-Door models

Not available on 3-Door models

- Located on the driver’s side
- Driver’s-side sliding side door improves entry and exit convenience to second- and third-row seats
- Interlock prevents the left door from opening when the fuel filler door is open to help prevent damage
- When activated, the child-safety lock disables the interior door handle to prevent rear-seat occupants from opening the sliding side door from inside

 *Ask the customer to sit in the rear seating area of the vehicle. Activate the child-safety lock with the control located on the rear edge of the rear door and close the door. Ask the customer to try to open the door. Also show the customer how to deactivate the lock by moving the lock control down. Explain that this feature was designed to help keep children safe while riding in the vehicle.*

Fuel pump inertia shutoff switch

Standard on all models

- Automatically shuts off the fuel being pumped to the engine in the event of a collision
- A reset button is located in the right-hand jack storage in the rear cargo area (refer to the Windstar Owner Guide for specific reset instructions)

Illuminated Entry System

Standard on SE and SEL models

Optional on Windstar and Windstar LX models

- Automatically turns on interior lights when doors are unlocked by using the Remote Keyless Entry System key fob

Three-point outboard shoulder safety belts

Standard on all models

- Three-point safety belts are standard for all outboard seating positions
- Adjustable D-rings allow personalized adjustment of front-seat safety belt height and second-row safety belts



Show your customer how to adjust the height of the safety belt for comfort.

Belt-Minder System

Standard on all models (late availability)

- Designed to encourage safety belt usage by reminding people to buckle up
- Uses a safety belt usage sensor located in the belt buckle to determine whether the driver is using the safety belt
- After the engine is started, Belt-Minder waits 65 seconds, until the existing belt reminder stops sounding
- If the driver is still unbelted after the vehicle speed reaches 3 mph, Belt-Minder sounds a 4Hz chime and flashes the existing safety belt warning light
- It flashes and chimes for 6 seconds, followed by a 30-second pause, and then repeats
- The cycle continues for 5 minutes, then the Belt-Minder is deactivated for the remainder of the key cycle
- If the driver fastens the safety belt during the key cycle, Belt-Minder is deactivated for the remainder of the key cycle



Have your customer sit in the vehicle without fastening the safety belt. Ask the customer to turn the vehicle on. This will activate the Belt-Minder System. The system will continue to chime for 5 minutes or until the safety belt is fastened.

Second Generation Driver and Front Passenger Airbag Supplemental Restraint System

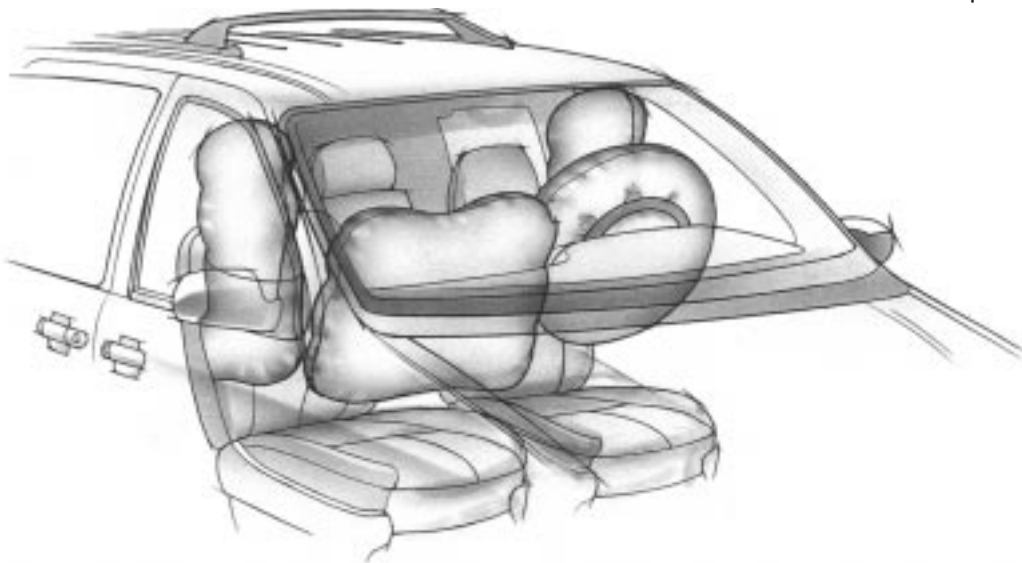
Standard on all models

- Supplements the front three-point safety belts
- Helps prevent head and chest injuries in certain moderate-to-severe frontal or near-frontal collisions
- Always transport children in the rear seat, properly restrained

Side-impact airbags

Optional on all models

- Airbags are mounted in the bolsters of the front seats
- Designed to enhance protection of the head and chest of the front-seat occupants in certain side impacts
- Activated by a moderate-to-severe side impact
- Motion is detected by two additional sensors added to the restraint control system located on the front floor
- The restraint control system also houses the sensors for the Second Generation Airbag Supplemental Restraint System



SecuriLock™ passive anti-theft system

Standard on all models

- May qualify customers for insurance premium discount
- This security feature prevents engine operation without the correct specially encoded ignition key. Unless the engine's powertrain control module recognizes the signal from the key, the engine will not start
- There are 72 quadrillion possible codes
- When the ignition is off, a theft indicator light on the instrument cluster will flash briefly every two seconds to indicate the SecuriLock system is active

➤ *Have the customer try to start the vehicle with a key that belongs to another Windstar. Explain that the specially encoded key transmits a radio signal to a small transmitter in the steering column. When the wrong key is inserted, the vehicle won't start. This is why it's such an effective anti-theft system.*

Battery Saver feature

Standard on all models

- Automatically turns off interior lights and courtesy lights 30 minutes after ignition is turned to the OFF position and the last door is closed
- Helps prevent battery power drainage if interior lights are inadvertently left on
- Automatically turns off headlamps, parking lamps and backlighting after the ignition switch has been off for 10 minutes and the headlamp switch is in the HEADLAMP position

Cornering lamps

Standard on SE and SEL models

- Located at the front corners of the vehicle
- Activated when turn signals are used
- Help provide improved side illumination when turning
- Automatically deactivated when a turn is complete and the turn signal stalk returns to its idle position

Large cargo capacity

Standard on all models

- 139.4 cubic feet of cargo capacity with all rear seats removed on 3-door; 136.4 cubic feet on 4-Door
- Flat loadfloor and underbody spare tire carrier maximize cargo space

➤ *Keep a number of items on hand in your showroom that Sales Consultants can use to demonstrate the cargo space in Windstar — for example, large boxes, grocery sacks and suitcases. During your presentation of the removable third-row seat, use your props to show how much Windstar can carry.*

Dual-latching liftgate

Standard on all models

- Side panel-positioned latches help provide a flat loadfloor with no latch ring obstructions

Roof rack

Standard on SE and SEL models

Included in LX Comfort Group

- Provides added cargo-carrying utility
- Accommodates up to 165 lbs. of cargo

➤ *Explain how the crossbar position may be changed by loosening the thumbwheel at both ends of the crossbar. The crossbar(s) can then be slid forward or backward along the roof to the desired location, then tighten thumbwheel at both ends of the crossbar to secure.*

Rear-window wiper/washer system

Standard on all models

- Helps keep rear window clear for maximum rearward visibility

Electric rear-window defroster

Standard on all models

Included in Family Value Group

- Quickly defogs rear window and assists in melting ice and snow for enhanced visibility
- Includes an automatic shutoff feature



Cornering lamps

Reverse Sensing System

Optional on LX 4-door, SE and SEL models

- Ideal for parallel parking
- Optional feature helps alert the driver to certain objects near the rear of the vehicle when backing up slowly during parking maneuvers
- The system works on sonar principles and uses four ultrasonic sensors in the rear bumper
- Sensors detect objects up to 1.8 meters (approximately 6 feet) to the rear
- The system allows a one-second reaction time when backing up at 4 mph
- The system alerts the driver with a beep from a speaker in the rear of the vehicle
- Beeps increase in frequency until the obstacle is less than 10 inches from the vehicle, then the tone becomes continuous
- The Reverse Sensing System may have reduced performance in the rain or snow

➤ Have the customer back slowly toward a stationary object in the parking lot — a lamppost or wall — while they listen to the increasing frequency of the beeps. Explain that the beeps, along with visual cues, can help them judge distance when moving in reverse or parallel parking. Remember when presenting this system, that it's positioned as a convenience feature, not as a safety feature.

Heated exterior mirrors

Standard on SE and SEL models

Included in Family Security Package

- Provide added convenience
- Heated to help clear ice and snow quickly in cold weather (heat is applied whenever the rear-window defroster is turned on)

Power windows with One-Touch-Down power driver's-side window

Standard on all models

- Press AUTO completely down and release quickly. The window will open fully. Depress again to stop window operation
- Convenient at drive-thru restaurants, bank windows or tollbooths

Accessory delay feature

Standard on all models

- With accessory delay, the power window switches may be used for up to 10 minutes after the ignition switch is turned to the OFF position or until any door is opened

26-gallon fuel tank

Standard on all models

- Delivers an impressive cruising range — more than 500 highway miles, depending on driving habits

Privacy Glass™

Standard on SE and SEL models

Optional on LX models

- Contributes to interior comfort by reducing the sun's glare

Second-row side-to-side bench seat indexing

Standard on Windstar 4-Door and Windstar LX 4-door models

- Allows seat to be positioned on right or left side of vehicle
- Can be moved to enable easier entry into third row

➤ Show your customer that the second-row bench seat can be moved to the left or right side, thus improving access to the third row from either side of the vehicle. Move the seat right and there's more room on the left side, and vice versa (4-Door only).

Enhanced Seating Group (ESG)

Standard on LX, SE and SEL models

Optional on Windstar model

- Combines various features and options including:
 - Adjustable tracks, recline and rollers on the second- and third-row bench seats
 - Seat-mounted cup holders on the second-row seats
 - Map pockets on the first-row seatbacks
 - Tip/slide driver's seat (3-Door model only)
 - Grab handles on first-row seatbacks

2000 WINDSTAR

Comfort/Convenience cont'd

Hiller Ford Inc.
6455 South 108 Street
Franklin, WI 53132

www.hillerford.com

Luxury quad low-back leather-trimmed bucket seats with six-way power driver's and passenger's seats

*Standard on SEL models
Optional on SE models*

- Power lumbar support for driver and passenger
- Second-row bucket seats and third-row bench seats each have two head restraints
- Six-way power driver's and passenger's seats provide convenient adjustment and comfort
- Provide a high level of comfort during long trips

Leather-wrapped color-keyed steering wheel

Standard on SE and SEL models

- Sure grip allows improved feel while steering
- Elegant leather adds to the luxurious style
- Includes backlit speed control buttons

Universal garage door opener

*Standard on SEL models
Included in Electronics Group*

- Programmable transmitter located on the driver's visor within handy reach operates up to three remote-controlled home functions, such as opening garage doors, turning on lights, etc.

➤ *Using a separate hand-held garage door opener, for example, show your customer how to program the built-in HomeLink universal garage door opener. HomeLink can accommodate up to three different remote-controlled devices.*

Full overhead console

*Standard on SE and SEL models
Optional on 4-door LX models*

- Provides conversation mirror, coin holder, sunglasses holder, garage door opener holder, reading lamp, dome light, provision for rear audio controls and provision for power sliding side door switch



High-capacity CFC-free air conditioning and auxiliary climate control

*Standard on SE and SEL models
Included in Comfort Group
Optional on LX models*

- Increased capacity and blower output
- Uses R-134a refrigerant that will not further deplete the ozone layer because it does not contain chlorine
- Rear passenger compartment has rear vents, separate fan and temperature control knobs

Audio systems

Consult your Dealer Ordering Guide for availability

- AM/FM Stereo with digital clock
- AM/FM Stereo/Cassette with digital clock
- Premium AM/FM Stereo/Cassette/Single CD Player with digital clock (Personal Audio System)
 - Includes Rear-seat Audio Controls

Smart locks

Standard on all models

- Prevent doors from locking when key is in ignition unless key fob remote is used
- Reduce chance of locking keys in vehicle

Light/Visibility Group

Standard on LX, SE and SEL models

- Includes glove compartment light, second-row reading lights, front-row floor lamps, B-pillar lamp(s), front map lights (SE and SEL), front-door courtesy lights (SE and SEL), third-row reading lamps (SEL only) and "sleeping baby mode" light

Power Convenience Group

Standard on all models

- Dual remote fold-away power mirrors
- Power door locks with illuminated switches
 - Windstar models equipped with power door locks include a sliding side door lock memory feature
 - If the sliding side door is open when the power lock is activated, this feature “remembers” to lock the door once it is closed
- Power windows with One-Touch-Down driver’s-side feature
- Power flip-out rear quarter windows provide added convenience and ventilation
- Accessory delay feature
- Autolock

➤ *At the start of the test-drive, have your customer unlock all of the doors. Then have the customer start the vehicle and shift into Drive and pull forward. Turn off the radio and have the customer listen to the doors lock.*

“Sleeping baby mode” light

Standard on LX, SE and SEL models

Included in Light/Visibility Group

- When activated, only the courtesy lights in the doors and under the instrument panel illuminate
- Will not turn on dome light when doors are opened
- Designed to prevent dome light from shining in a baby’s eyes and waking them up at night

➤ *Show your customers how to activate the “sleeping baby mode” by setting the instrument panel light dimmer control to the detent one setting above turning off interior lights completely.*

Electronic speed control and tilt steering column

Standard on LX, SE and SEL models

Optional on Windstar models

- Steering wheel-mounted controls provide easy-to-use, hands-on-the-wheel convenience
- Speed control helps reduce driver fatigue on extended trips
- SE and SEL include backlit speed control switches

Dual power sliding side doors

Standard on SEL

Optional on SE

- Feature can be activated four ways:
 - Push-button switches on the B-pillar(s)
 - Separate buttons located on the remote key fob
 - Buttons located in overhead console
 - Opening or closing motion with the interior or exterior door handle
- A disable switch is located in the overhead console that can lock out power operation
- The power doors cannot be opened unless the vehicle gear selector is in Park
- The doors can be closed while the vehicle is moving
- A sensor located in the fuel filler door, and the mechanical and electric interlocks on the sliding side door ensure that the left-hand power sliding side door cannot be opened if the fuel filler door is open
- Obstacle detection reopens the power door(s) if an obstacle is detected in the path of the closing door

➤ *Have your customer open and close the sliding side door. Then, while the door is closing, put an object between the door and the frame, and point out how the door automatically returns to the open position if it strikes any object — an important safety feature. Also, open the fuel filler door and point out how the left-hand power sliding side door will not open.*



2000 WINDSTAR

Performance/Handling

Hiller Ford Inc.
6455 South 108 Street
Franklin, WI 53132

www.hillerford.com

3.0L OHV V-6 engine

Standard on Windstar models

- 150 hp @ 5000 rpm and 186 lb.-ft. torque @ 3750 rpm
- Equal-length intake runners allow greater efficiency and improved NVH characteristics
- Meets Low Emission Vehicle (LEV) standards

3.8L V-6 engine with split-port induction (SPI)

Standard on LX, SE and SEL models

Optional on Windstar models

- 200 hp @ 4900 rpm and 240 lb.-ft. of torque @ 3600 rpm
- Meets Ultra Low Emission Vehicle (ULEV) standards in green states
- Meets Low Emission Vehicle (LEV) standards



Electronically controlled four-speed automatic overdrive transaxle

Standard on all models

- Helps ensure smooth, consistent shifting using optimized shift control strategy
- Overdrive fourth gear helps improve fuel economy and reduce engine wear at highway speeds
- Overdrive lockout (operated by a button at the end of the shift lever) offers improved engine braking on descending hills or when towing under specific driving conditions
- Brake/shift interlock prohibits Windstar from being shifted out of Park and into gear unless the brake pedal is depressed, for added safety

Front-wheel drive

Standard on all models

- Contributes to excellent ride and handling
- Transverse-mounted powertrain adds interior room

Power rack-and-pinion steering

Standard on all models

- Provides responsive handling both on the road and in crowded parking lots

Independent MacPherson strut front suspension combined with twist-beam rear axle

Standard on all models

- Independent front suspension helps isolate passengers from road imperfections
- Front stabilizer bar provides enhanced vehicle handling when cornering
- Semi-independent twist-beam rear axle includes an integrated torsion bar for a smooth ride
- Optimized for less noise, vibration and harshness (NVH) and a tight turning radius (39.5 feet)

120.7-inch wheelbase

Standard on all models

- Long wheelbase enhances ride and handling characteristics

P215/70R15 BSW all-season tires

Standard on SE models

- Provide a large contact area with the road for better traction

100,000-mile scheduled tune-up interval

Standard on all models

- Under normal driving conditions with regular fluid and filter changes
- Platinum-tipped spark plugs
- Platinum retains its conductive properties longer than traditional spark plugs, thus increasing reliability and requiring less maintenance

Electronic Engine Controls (EEC-V)

Standard on all models

- Continuously monitor a broad range of engine operating conditions to optimize efficiency and performance

Body construction and stiffness

Standard on all models

- Fewer body vibrations from road shocks

Hydroformed front sub-frame

Standard on all models

- This process uses oil under high pressure to expand hollow steel frame rails into a precise die form, similar to toothpaste moving through a tube
- It reduces the potential stresses created when steel is bent into shape in a conventional manner
- Results in tighter, more exact tolerances, higher quality and greater consistency in the finished product

5-mph energy-absorbing bumpers

Standard on all models

- Help reduce damage caused by minor front and rear impacts
- Contribute to attractive exterior

New Vehicle limited warranty

Standard on all models


- 3-year/36,000-mile bumper-to-bumper coverage; no deductible
- 5-year/unlimited-mileage Corrosion Perforation coverage

Roadside Assistance

Standard

Every new Ford owner is automatically enrolled in the Roadside Assistance Program. This program is available during the 3-year/36,000-mile limited warranty period.

- The Roadside Assistance Program offers a multitude of benefits to Ford vehicle owners. These benefits include:
 - 1-800-241-FORD (3673) — This toll-free number is staffed by Ford Customer Service representatives, and is operational 24 hours a day, every day of the year to accommodate owner needs
 - Personal Safety — When customers call the toll-free Roadside Assistance number, Ford Customer Service representatives will always ask the customer if he or she feels safe. If the customer does not feel safe, local authorities will be contacted immediately
 - Roadside Services — Ford Customer Service representatives will dispatch a tow truck to an owner's location if the owner should require any of the following services:
 - Changing a flat tire
 - Jump-starting a dead battery
 - Lockout service
 - Fuel delivery
 - Emergency towing for warranty and non-warranty related events to the nearest Ford Motor Company dealership fully authorized to perform warranty repairs

 Be sure to review the Safety Advice Card with all of your customers at the time of delivery to help give them a general overview about the safe operation of their vehicles, including transporting children.

Aerodynamic exterior styling

Standard on all models

- Short front end achieves crisper, more compact, yet powerful appearance
- Large headlamps, grille and front fascia enhance styling and emphasize perception of strength, robustness and durability
- Grille opening is a classic Ford shape with strong, solid, three-dimensional egg-crate pattern grille vanes

Headlamps

Standard on all models

- Large and prominent
- Wraparound design blends into the front fenders
- Crystalline lenses with complex reflectors add a more contemporary look

In-glass antenna

Standard on all models

- Embedded in the rear quarter glass
- Eliminates wind noise caused by conventional antennas
- Eliminates chance of carwash-related damage



Audio systems are very important to most consumers. In fact, many customers may be more interested in the quality of a vehicle's sound system than in many other features. Don't be surprised if the audio system is the first feature a customer tries out on a test-drive.

Because a vehicle's audio system is such an important factor in the purchase decision, Windstar offers a wide range of audio systems to satisfy the needs of everyone.

AM/FM Stereo



Standard on Windstar and Cargo Van

- 12 watts and two speakers on Cargo Van
- 24 watts and four speakers on Windstar Wagon
- Electronically tuned with Seek feature
- 4 AM/8 FM Station Memory Tuning
 - Memory Tuning allows recall of 12 preset stations
- Digital clock in radio (toggle clock where either station or clock is displayed — not full-time clock)
- CD changer compatible (dealer-installed, 6-Disc Remote-controlled CD Changer)

AM/FM Stereo/Cassette



*Standard on Windstar LX and SE
Optional on Windstar*

Includes features of AM/FM Stereo, plus:

- 24 watts
- 6 AM/12 FM Station Memory Tuning
 - Memory Tuning allows recall of 18 preset stations
- Compatible with dealer-installed 6-Disc Radio-controlled CD Changer
- "AMS" (Automatic Music Search)
 - Automatically seeks the beginning of tape tracks

(1) Refer to your most current Dealer Ordering Guide for specific audio availability.

**Premium AM/FM Stereo/Cassette/
Single CD Player**



*Standard on Windstar SEL
Optional on Windstar LX and SE*

Includes features of AM/FM Stereo/Cassette, plus:

- 80 watts
- Personal Audio System:
 - Allows front- and rear-seat passengers to listen to the same media types simultaneously or different types (radio, CD or cassette) independently (when headphones are used in the rear seat)

NOTE: This feature does not allow listening simultaneously to two different stations or two different tracks (CD or cassette)
- Compression feature:
 - Reduces dynamic range of music (soft passages louder and loud passages softer) for ease of listening under high ambient noise conditions
- SHUFFLE button allows random play of tracks on the in-dash CD player
- Auto feature automatically programs radio presets with the strongest stations (a temporary feature for use outside regular listening area; press button again and presets revert to original stations)
- Digital clock

**Rear-seat Audio Controls (available
only with the Premium AM/FM
Stereo/Cassette/Single CD Player)**



*Standard on Windstar SEL
Optional on Windstar LX and SE*

- 3-Door models have a rectangular control panel in the second-row driver's-side quarter panel trim
- 4-Door models have a control panel integrated into the rear portion of the overhead console for access by second-row passengers
- Personal Audio System feature is activated by the HEADPHONE/SPEAKER button. When headphones are plugged in and the HEADPHONE/SPEAKER button is activated, up to two rear-seat passengers can control and enjoy their favorite type of media

Controls

- VOLUME
 - Allows rear-seat passengers to control the sound level independent of the front (unless both front and rear are listening to same type of media)
- MEDIA
 - Allows rear-seat passengers to choose type of media: radio, cassette, single CD player or CD changer (if equipped)
- MEM
 - Allows rear-seat passengers to scroll through 18 station memory presets on the radio
- SEEK
 - Rear-seat passengers may choose cassette selections, different tracks on the single CD player (in-dash) or one of the disc's tracks in the CD changer (if equipped)

(1) Refer to your most current Dealer Ordering Guide for specific audio availability.

6-Disc Radio-controlled CD Changer

Dealer-installed



- Repeat song/disc function
- Shuffle function
 - Plays a single disc's tracks in random order
- Located in front console for added convenience (factory-installed CD changer)
- Cleaner, truer sound

6-Disc Remote-controlled CD Changer

Dealer-installed



- Automatic Gain Control — music playback is virtually continuous, even when the unit switches from one disc to another
- High-speed load access
- 12 selectable broadcast frequencies
- Selectable pre-emphasis circuit — produces the sound quality of a radio-controlled CD changer

Visteon Rear Entertainment System

OEM Assembly Plant-installed

- Retractable 6.4-inch color LCD screen
- Videocassette player and remote control
- Video game plug and play capability⁽²⁾
- Video camera playback capability
- Stereo transmission through vehicle's speakers or through headphones
- Rear passenger controls include:
 - Media selection switch
 - Video jacks
 - Right/Left audio RCA-type jacks
 - 12-volt Power Point
 - Three headphone jacks/two sets of headphones
 - Volume control
- Floor-mounted console with cup holders and covered storage bin



Contact your local Visteon Authorized Service Center for specific applications and installation of dealer-installed options or call the Visteon Audio Hotline at 1-800-367-3333.

(1) Refer to your most current Dealer Ordering Guide for specific audio availability.

(2) Video game system and games not included. May require a 12V DC to 120V AC power inverter.

Ford Accessories is committed to providing top-quality, affordable accessories that can help you enhance your overall sales presentations and increase customer satisfaction with the products you sell, as well as with you and your dealership.

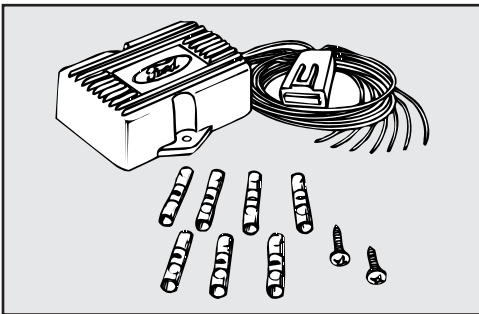
Every dealer-installed Ford Accessory is backed for the duration of the 3-year/36,000-mile limited warranty to provide valuable long-term benefits to your customers. Moreover, selected accessories are eligible for Red Carpet Lease residualization, making Ford Accessories even more affordable.

The following are several of the most popular Ford Accessories available for the 2000 Windstar:



Vehicle Security Systems⁽¹⁾

- Provide an effective deterrent to vehicle theft
- Many levels to choose from (see Ford Accessories Reference Book for details)
- Some states allow insurance discounts for vehicles equipped with security systems
- Handheld remote control attaches to key chain for easy access



Daytime Running Lights

- Vehicle headlamps are illuminated at 75 percent of normal power
- Help improve driving visibility while increasing the vehicle's presence on the road
- System engages/disengages when ignition is activated/deactivated
- System does not interfere with normal nighttime-driving headlamp operation

(1) Accessories eligible for Red Carpet Lease residualization.

2000 WINDSTAR Ford Accessories cont'd

Hiller Ford Inc.
6455 South 108 Street
Franklin, WI 53132

www.hillerford.com



Horizontal Ski Carrier Adapter

- Fits factory luggage rack, removable roof rack, track rider bars and raised crossbars
- Small horizontal racks hold up to four pairs of downhill skis or two snowboards
- Large horizontal rack holds up to six pairs of downhill skis or four snowboards
- Includes integrated lock for added security
- Designed to combine convenience, durability and attractive styling
- Ski Rack Adapters are designed to prevent bindings from contacting roof
- Can be easily attached or removed; no tools required

The following Ford Accessories are also available for the 2000 Windstar:

- Airbag Anti-theft Locks
- Automatic Headlamp System
- Cargo Liner — Soft
- Cargo Net
 - Barrier
 - Side Seat Envelope
 - Underseat
- Cargo Organizer
- Cargo Tray
- Child Step Running Board
- Console⁽¹⁾
- Deflectors⁽¹⁾
 - Aero Hood/Bug Deflector (Wraparound)
 - Side Window
- Electrochromic Compass Mirror
- Electrochromic Compass Mirror with Outside Temperature Display
- Engine Block Heater
- Floor Mats
 - Universal Carpeted
 - Molded Vinyl
- Front-end Cover
- Front-end Cover, Mini Mask
- Locking Gas Cap
- Molded Splash Guards
- Racks and Rack Accessories:
 - Canoe Carrier Adapter
 - Fork-mount Bike Carrier Adapter
 - Frame-mount Bike Carrier Adapter
 - Diagonal Ski Carrier Adapter
 - Kayak Carrier Adapter
 - Luggage/Cargo Basket
 - Raised Crossbars
 - Removable Roof Rack
 - Soft Luggage Cover
- Rear Spoiler
- Remote Keyless Entry System⁽¹⁾
- Seatback Organizer
- Speed Control⁽¹⁾
- Styled Wheel Anti-theft Lock
- Tire Step
- Trailer Hitch Balls
- Trailer Hitch Class II

Ford Accessories catalogs are excellent sales tools that can help you sell the outstanding value of Ford Accessories to your customers. To order catalogs, call Gage Marketing at (734) 455-0059. Also, the Ford Accessories Reference Book is an excellent source for additional Accessories information.

(1) Accessories eligible for Red Carpet Lease residualization.

WINDSTAR

Capacity and Performance Specifications

Hiller Ford Inc.
6455 South 108 Street
Franklin, WI 53132

www.hillerford.com

Payload and Trailer Towing Weights

Series	GVWR Payload (lbs.) ⁽¹⁾	Maximum (lbs.) ⁽¹⁾	GCWR Trailer Tow (lbs.) ⁽¹⁾	Maximum Trailer Tow (lbs.) ⁽¹⁾
Windstar Cargo Van • 3.0L V-6 • 3.8L V-6	5540 5550	1800 1800	6550 7000	2000 2000
Windstar Wagon • 3.0L V-6 • 3.8L V-6 • 3.8L V-6 and Trailer Towing Package	NP NP NP	1200 1200 1200	6550 7000 8500	2000 2000 3500

(1) Properly equipped.

NP = Information not published.

NOTE: Refer to the Owner Guide and the Trailer Towing Appendix for additional towing information.

Powertrain Combinations and Fuel Economy Data⁽¹⁾

Powertrain (Engine/Transmission)	Horsepower ⁽²⁾ (SAE net @ rpm)	Torque ⁽²⁾ (lb.-ft. @ rpm)	Fuel Economy (city/hwy. mpg) ⁽³⁾
3.0L OHV V-6 Electronically Controlled 4-Speed Automatic Overdrive	150 @ 5000	186 @ 3750	Van 17/23 Wagon 17/23
3.8L OHV V-6 with SPI Electronically Controlled 4-Speed Automatic Overdrive	200 @ 4900	240 @ 3600	Van 18/23 Wagon 17/23

(1) Preliminary data. Not intended to support advertising claims.

(2) Horsepower and torque ratings are based on 1999 information and are subject to change, and will be updated accordingly.

(3) 1999 EPA estimates. 2000 figures not available at time of printing.

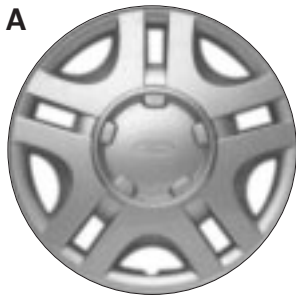
Wheel Availability

	Windstar Wagon	LX Wagon	SE Wagon	SEL Wagon	Cargo Van
A 15" Steel Wheel with Wheel Cover (15" x 5.5") incl. P205/70R15 BSW all-season tires	S	S	—	—	S
B 15" 11-Spoke Painted Cast Aluminum Wheel (15" x 6") incl. P215/70R15 BSW all-season tires	—	O	S	—	—
C 16" 5-Spoke Bright Machined Cast Aluminum Wheel (16" x 6") incl. P225/60R16 BSW all-season tires	—	—	O	S	—
Spare — 15" Mini-spare Steel Wheel with T135/90R15 tire ⁽ⁱ⁾	S	S	S	S	S

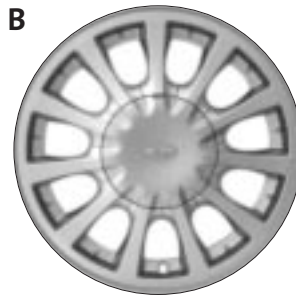
S = Standard O = Optional — = Not available

(i) 16" full-size Steel Wheel with P225/60R16 tires are included with 16" wheel and tire applications.

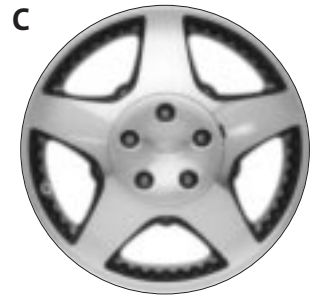
Wheel Treatments



A
15" Steel Wheel
with Wheel Cover



B
15" 11-Spoke Painted
Cast Aluminum Wheel

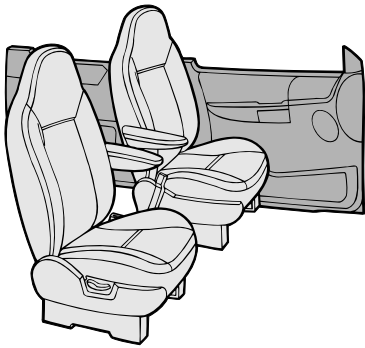


C
16" 5-Spoke Bright Machined
Cast Aluminum Wheel

2000 WINDSTAR Seat Trim Availability

Hiller Ford Inc.
6455 South 108 Street
Franklin, WI 53132

www.hillerford.com



Driver's and passenger's high-back front bucket seats with adjustable seat track, integral head restraints and recline

- Cargo Van



Driver's and passenger's high-back front bucket seats with adjustable seat track, integral head restraints and recline

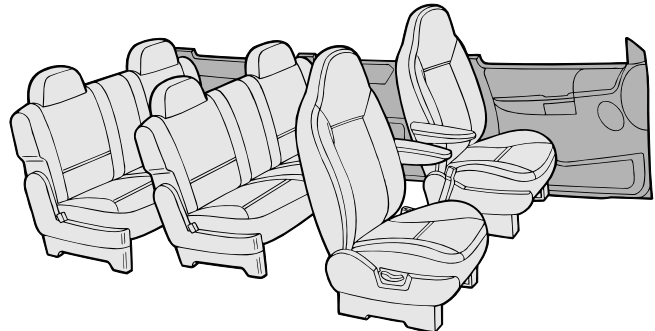
Second-row low-back bucket seats with tip/slide feature, third-row (3-passenger) bench seat with adjustable head restraints and folding seatback loadfloor (Includes Enhanced Seating Group)

- Optional on LX



Low-back cloth quad bucket seats with power driver's seat, second-row low-back bucket seats with tip/slide feature, third-row (3-passenger) bench seat with adjustable head restraints and folding seatback loadfloor (Includes Enhanced Seating Group)

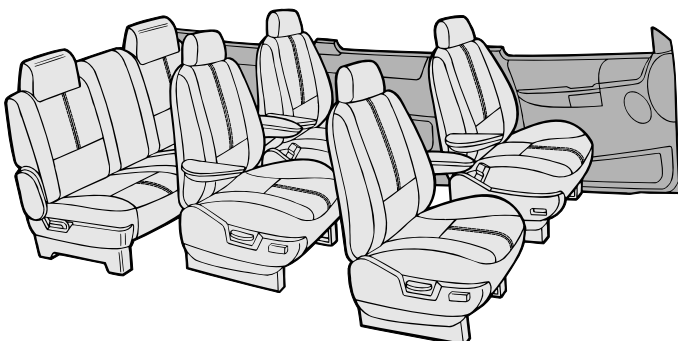
- Standard on SE



Driver's and passenger's high-back front bucket seats with adjustable seat track, integral head restraints and recline

Second-row (2-passenger) bench seat, third-row (3-passenger) bench seat with adjustable head restraints and folding seatback loadfloor (Includes Enhanced Seating Group on LX)

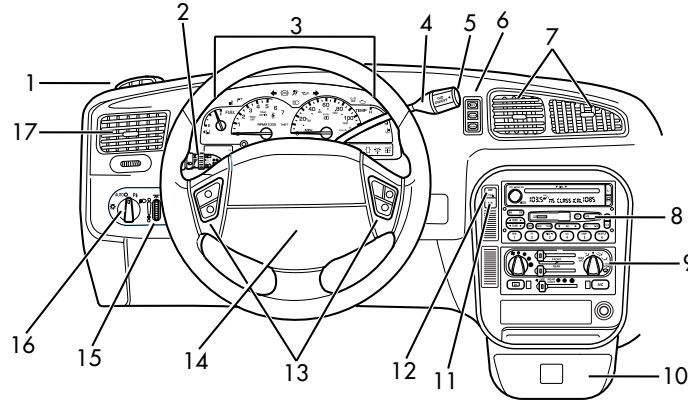
- Standard on Windstar
- Standard on Windstar LX



Low-back leather seating surface quad bucket seats, power 6-way driver's and passenger's seats with adjustable lumbar support, second-row low-back bucket seats with tip/slide feature, third-row (3-passenger) bench seat with adjustable head restraints and folding seatback loadfloor (Includes Enhanced Seating Group)

- Standard on SEL
- Optional on SE

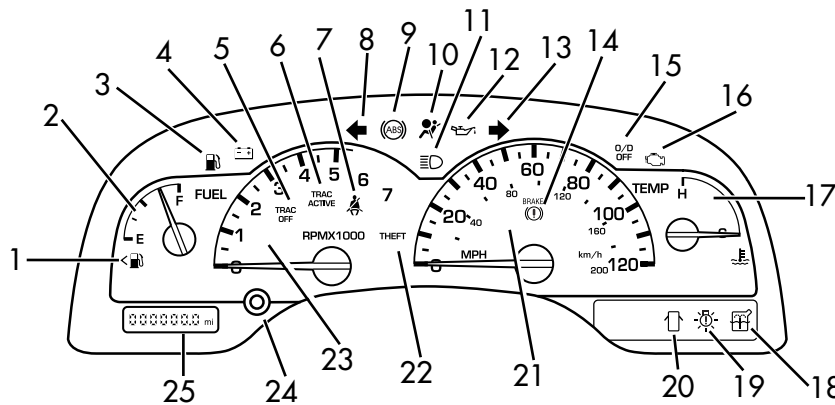
Instrument Panel



- | | | |
|---|--|--|
| 1. Side window demister | 7. Center air vents | 14. Driver's-side Airbag Supplemental Restraint System |
| 2. Turn signal and washer/wiper controls | 8. Audio controls | 15. Instrument panel dimmer switch |
| 3. Instrument cluster | 9. Climate controls | 16. Headlamp control |
| 4. Gearshift lever | 10. Covered storage bin ⁽ⁱ⁾ | 17. Driver's-side air vent |
| 5. Overdrive "on/off" switch | 11. Traction control "off" switch ⁽ⁱ⁾ | |
| 6. Message center controls ⁽ⁱ⁾ | 12. Reverse Sensing System "off" switch ⁽ⁱ⁾ | |
| | 13. Electronic speed controls ⁽ⁱ⁾ | |

(i) If equipped.

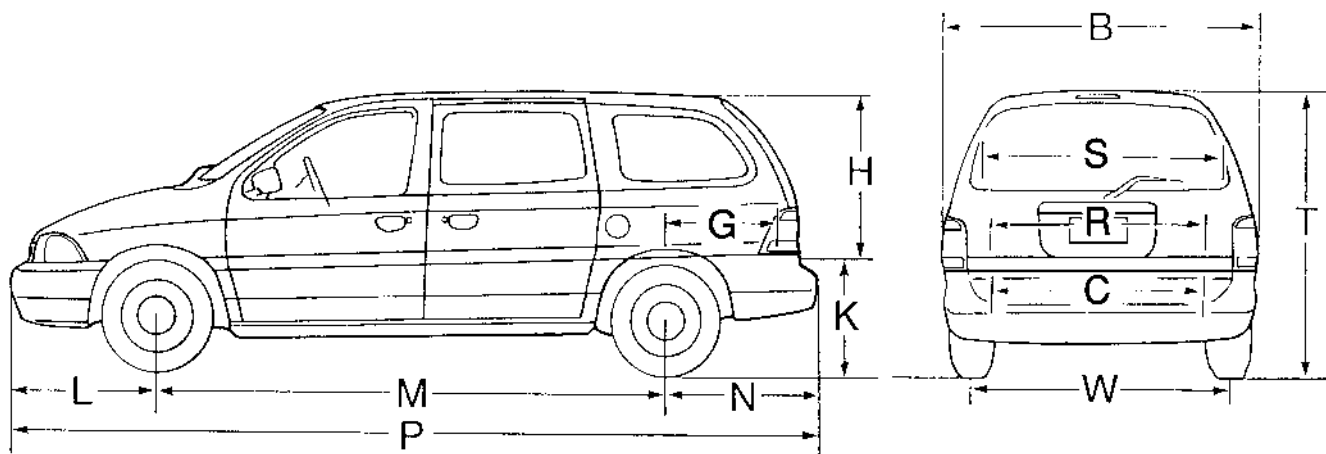
Instrument Cluster



- | | | |
|---|--|---|
| 1. Fuel filler door location indicator | 10. Airbag readiness indicator/warning light | 18. Low washer fluid indicator light |
| 2. Fuel gauge | 11. High-beam indicator | 19. Lamp outage indicator light |
| 3. Low fuel warning light | 12. Low engine oil pressure warning light | 20. Door ajar warning light |
| 4. Charging system warning light | 13. Right turn signal indicator | 21. Speedometer |
| 5. Traction control "off" indicator light ⁽ⁱ⁾ | 14. Brake system warning light/parking brake indicator | 22. Anti-theft system "armed" indicator light |
| 6. Traction control "active" indicator light ⁽ⁱ⁾ | 15. Overdrive "off" indicator light | 23. Tachometer |
| 7. Fasten safety belt warning light | 16. Check engine warning light | 24. Reset button |
| 8. Left turn signal indicator | 17. Engine coolant temperature gauge | 25. Odometer/trip odometer |

(i) If equipped.

BODY DIMENSIONS



Body Dimensions — Wagon

Code	Description	Inches
B	Max. Width @ Rear Wheel	75.2
C	Width Between Wheelhouse	48.7
G	Cargo Length (7-Pass. @ Floor behind third seat)	26.3
H	Rear Opening Height	40.50
K	Load Height (Empty)	24.1
L	Front Overhang	39.5
M	Wheelbase	120.70
N	Rear Overhang	40.70
P	Overall Length	200.90
R	Liftgate Width @ Beltline	50.0
S	Maximum Width @ Floor	69.6
T	Vehicle Height (Empty)	68.2
	Vehicle Height (Loaded)	66.1
W	Tread Width (Front)	64.7 @ Ground
	Tread Width (Rear)	63.0

Fuel Tank Capacity

Model	Availability	Tank Location	Capacity gal.
All	Standard	Midship	26.0

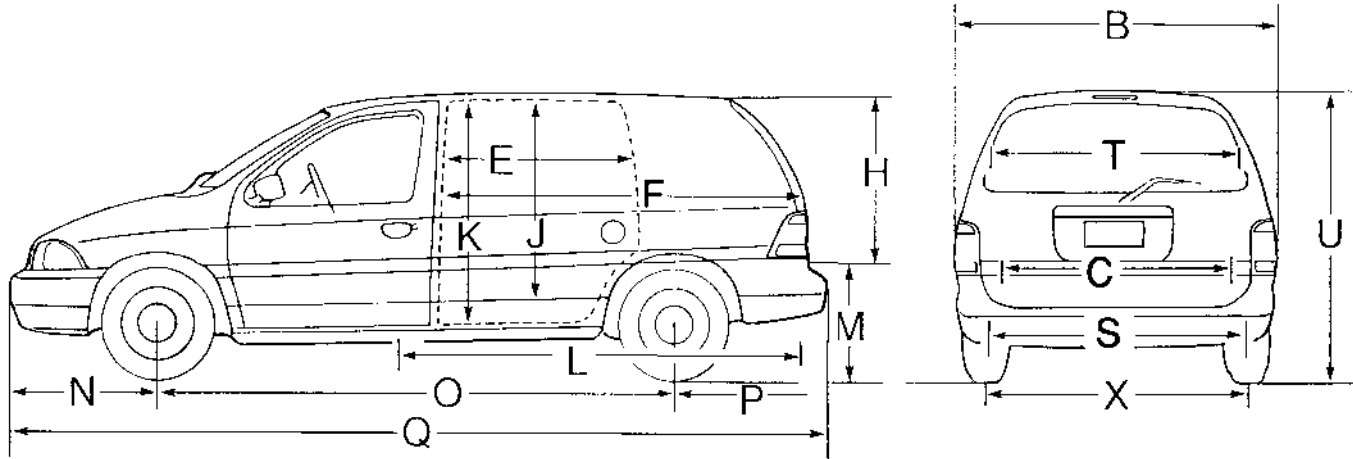
Passenger/Cargo Capacities

Model	No. of Occupants	Maximum Weight Capacity (lbs.)
Wagon	7	1200

Base Curb Weight

Front (lbs.)	Rear (lbs.)	Total (lbs.)
Windstar — 2340	1550	3890
LX — 2340	1550	3890
SE — 2486	1708	4194
SEL — 2516	1754	4270

BODY DIMENSIONS cont'd



Body Dimensions — Van

Code	Description	Inches
B	Max. Width @ Rear Wheelip	75.2
C	Width Between Wheelhouse	50.0
E	Max. Sliding Door Opening Width	30.8
F	Cargo Length @ Beltline	84.6
H	Rear Opening Height	40.5
J	Max. Floor to Roof Bow	48.4
K	Side Door Opening Height (From Top of Floor)	47.9
L	Max. Length @ Floor	93.2
M	Load Height (Empty)	23.9
N	Front Overhang	39.50
O	Wheelbase	120.70
P	Rear Overhang	40.70
Q	Overall Length	200.9
S	Max. Width @ Floor	69.6
T	Max. Width Liftgate Opening @ Beltline	50.0
U	Vehicle Height (Empty)	68.0
	Vehicle Height (Loaded)	65.2
X	Tread Width (Front)	64.7 @ Ground
	Tread Width (Rear)	63.0

Front jacking points located under horizontal portion of underbody member behind front wheel.
 Rear jacking points located under horizontal portion of underbody member in front of rear wheel.

Fuel Tank Capacity

Model	Availability	Tank Location	Capacity gal.
All	Standard	Midship	26.0

Cargo Volume

Seating	Volume (cu. ft.)
w/Driver & Passenger Seat	139.4

Base Curb Weight

Base Van	Front (lbs.)	Rear (lbs.)	Total (lbs.)
Front Wheel Drive	2368	1351	3719

Seating Capacity and Standard Equipment Specifications

Trim		Windstar	LX	SE	SEL
Passenger Package	— 120.7 wb.	STD	STD	OPT	STD
Passenger Capacity		7	7	7	7
SEATING ARRANGEMENTS INCLUDE:					
High Back Buckets	— Dual front	■	■	■	
Low Back Buckets	— Dual front				■
	— Quad				
Bench	— 2-pass. 2nd Row	■	■		■
	— 3-pass. 3rd Row	■	■		■
Seat/Bed	— 2-pass. 2nd Row			■	
	— 3-pass. 3rd Row			■	
Minimum Allowance for Passenger/Cargo Capacities (lbs.)		1200	1200	1200	1200
POWERTRAIN:					
Engine	— Application	50 States			
	— Type	3.0L (182 CID) SEFI V-6			
					SPI 3.8L (232CID) SEFI V-6
Transaxle	— Type	Automatic AX4S			
	— Speeds	4-Speed Overdrive, Electronic w/OD Lock-Out. Includes Brake/Shift Interlock			
	— Low/High Gear Ratios	2.77:1 1st Gear / 0.69:1 4th Gear			
AXLES:					
Front Axle	— Type	Independent MacPherson Strut — Front-Wheel Drive			
	— Capacity (Rating @ Ground)	2900 lbs.			
Rear Axle	— Type	"Twist Beam"			
	— Capacity (Rating @ Ground)	2800 lbs.			
BRAKES:					
Front Disc	— Type	Dual-Piston, Floating-Caliper			
	— Size	11.1" Diameter			
Rear Drum	— Type	Self-Adjusting			
	— Size	9.84" x 2.2"			
Power-Assist Unit	— Type	Single Diaphragm			
	— Effective Diameter	9.0"			
Anti-Lock System		4-Wheel ABS			
Parking Brake (Rear Brakes)		Hand-Operated			
ELECTRICAL:					
Alternator	— Rating	3.0L — 110 Amperes, 1950 Watt 3.8L — 130 Amperes, 1950 Watt			
Battery	— Type	Maintenance-Free — w/Battery Saver			
	— Rating	58 Amp.-hr. 540 CCA	72 Amp.-hr. 650 CCA		75 Amp.-hr. 750 CCA
FUEL TANK:	— Capacity	26 Gal. Midship, Plastic			
STEERING:					
	— Type	Power, Rack and Pinion			
	— Ratio	16.1: 1			
	— Turning Diameter	39.3 ft. — curb-to-curb			
SUSPENSION:					
Frame	— Type	Unitized Body and Frame Structure w/Isolated Front Subframe			
Springs, Front	— Type	Steel Coil Springs — Computer-Selected			
	— Rating @ Ground (min.)	2671 lbs.			
Springs, Rear	— Type	Steel Coil, Variable Rate			
	— Rating @ Ground (min.)	2574 lbs.			
Shock Absorbers	— Front	Gas-pressurized, Hydraulic MacPherson Strut			
	— Rear	Gas-pressurized, Hydraulic			
Front Stabilizer Bar		.79" Diameter			
TIRES:					
	— No./Type	Four/Tubeless, Steel-Belted, Radial-Ply, All-Season, BSW			
	— Size	P205/70R15SL w/3.0L & LX Trim — P215/70R15SL LX/SE Trim — P225/60R16 SEL Trim			
	— Spare Size	Mini Spare T135/90R15			
WHEELS:					
	— No./Type	Four — Stamped Steel w/full wheel cover w/3.0L & LX; Aluminum w/LX, SE & SEL			
	— Size	15" x 6.0" JJ Steel; 15" x 6.0" Aluminum; 16" x 6.0" Aluminum			
	— Spare Size	15" x 4.0" Steel			

Seating Capacity and Standard Equipment Specifications cont'd

MODEL:		CARGO VAN
Payload Package	— 120.7" wheelbase	STD
Maximum Payload Rating:⁽¹⁾ (lbs.)		1800
GVWR: (lbs.)		5540
GAWR:⁽²⁾ (lbs.)		
Front —	— Minimum Maximum	2740
Rear —	— Minimum Maximum	2800 2800
POWERTRAIN:		
Engine	— Application	50 States
	— Type	3.0L (182 CID) V-6 SEFI Multiport
Transaxle	— Type	Automatic AX4S
	— Speeds	4-Speed Automatic, Electronic w/OD Lock-Out (Includes Brake/Shift Interlock)
	— Low/High Gear Ratios	2.77:1 1st Gear/0.69:1 4th Gear
AXLES:		
Front Axle	— Type	Independent MacPherson — Front-Wheel Drive
	— Capacity (Rating @ Ground)	2900 lbs.
Rear Axle	— Type	"Twist Beam"
	— Capacity (Rating @ Ground)	2800 lbs.
BRAKES:		
Front Disc	— Type	Dual-Piston, Floating-Caliper
	— Size	11.1" Diameter
Rear Drum	— Type	Self-Adjusting
	— Size	9.84" x 2.2"
Power-Assist Unit	— Type	Single-Diaphragm
	— Effective Diameter	9.0"
Anti-Lock System		4-Wheel ABS
Parking Brake (Rear Brakes)		Hand-Operated, Self-Adjusting, Variable Ratio
ELECTRICAL:		
Alternator	— Rating	110 Amperes
Battery	— Type	Maintenance-Free w/Battery Saver Feature
	— Rating	58 Amp.-hr. 540 CCA
FUEL TANK:	— Capacity	26.0 Gal. Midship
STEERING:	— Type	Power, Rack and Pinion
	— Ratio	16.1: 1
	— Turning Diameter	39.3 ft. — curb-to-curb
SUSPENSION:		
Frame	— Type	Unitized Body and Frame Structure w/Isolated Front Sub-frame
Springs, Front	— Type	Steel Coil Springs — Computer-Selected
	— Rating @ Ground (min. lbs.)	2720
Springs, Rear	— Type	Variable-Rate Steel Coil — Computer Selected
	— Rating @ Ground (min. lbs.)	2800
Shock Absorbers	— Front	Gas-pressurized, Hydraulic MacPherson Strut
	— Rear	Gas-pressurized, Hydraulic
Front Stabilizer Bar		.79" Diameter
TIRES:	— Number/Type	Four — Tubeless, Steel-Belted, Radial-Ply, All-Season, BSW
	— Size	P215/70R15
	— Spare Size (Underbody Carrier)	Mini Spare T135/90R15
WHEELS:	— Number/Type	Four — Stamped steel w/full wheel cover
	— Size	15" x 6.0" JJ Steel
	— Spare Tire	15" x 4.0" T Steel

(1) Load rating represents maximum allowable weight of people, cargo and body equipment and is reduced by optional equipment weight.
(2) Gross Axle Weight Rating (GAWR) is determined by the rated capacity of the minimum component of the axle system (axle, computer-selected springs, wheels, tires) of a specific vehicle. Front and rear GAWRs will, in all cases, sum to a number equal to or greater than the GVWR for the particular vehicle. Maximum loaded vehicle (including passengers, equipment and payload) cannot exceed the GVWR or GAWR (front or rear).

Axles

FRONT SUSPENSION SPECIFICATIONS

Type	Transaxle — Ford	
Rating @ Ground (lbs.)	2900	
Half Shafts	— Make/No. Used	Ford/Two, One Each LH and RH
	— Type	Solid Bar
	— Outer Diameter (in.)	LH 1.07/RH 1.07
	— Length (in.)	LH 24.11/RH 29.39
Universal Joints	— Make/No. Used	Ford/Four, Two Inboard Plunging and Two Outboard Fixed
	— Inboard Type/Size/Plunge (in.)	Double Offset/C2650/LH 0.67, RH 0.85
	— Outboard Type/Size	Rzeppa/C2650
Drive Taken Through	MacPherson Strut	
Torque Taken Through	Engine Mounting System	
Front Drive Unit	— Description	Planetary Gear Set
	— Driving Wheel Bearing	Tapered Roller Bearing Cartridge

REAR SUSPENSION SPECIFICATIONS

Type	Twist Beam
Rating @ Ground (lbs.)	2800

Brakes

HYDRAULIC BRAKE EQUIPMENT SPECIFICATIONS FRONT

Type	Suspension Usage (lbs.)	Rotor Dia. (in.)		Brake Lining Segment	Length (in.)/ Width (in.)/ Thickness (in.)	Caliper Piston Dia. (in.)	Gross Lining Area Per Axle (sq. in.)	Total Swept Area Per Axle (sq. in.)
		OD	ID					
Disc	2900	11.1	6.43	Outboard	5/2.04/0.45	2 x 1.89	38.55	257.2
				Inboard	5/2.04/0.45			

HYDRAULIC BRAKE EQUIPMENT SPECIFICATIONS REAR

Type	Suspension Usage (lbs.)	Brake Size (in.)	Lining Thickness (in.)		Wheel Cylinder Dia. (in.)	Gross Lining Area Per Axle (sq. in.)	Total Swept Area Per Axle (sq. in.)
			Primary	Secondary			
Drum	2800	9.84 x 2.17	.15	.15	1.00	84.5	134.16

BRAKE MASTER CYLINDER SPECIFICATIONS

Type	Bore Diameter (in.)
Dual System, Dash-Mounted	1.063

POWER BRAKES VACUUM BOOSTER SPECIFICATIONS

Make/Type	Effective Diameter	Outside Diameter (in.)	Diaphragm Type
Tokico, Dash-Mounted	9.0	10.20	Tandem

Cooling Systems

COOLING SYSTEM SPECIFICATIONS

Engine	Cooling	Trans. Usage	Frontal Area (sq. in.)	Core Size (in.)			Rows of Tubes	Fins Per Inch	Cooling System Cap. (approx. qts.)	Fan Specs	
				Height	Width	Thick				Type/ No. of Blades	Blade Dia. (")
3.0L (182) SEFI V-6	Std.	Auto.	511	17.08	29.9	1.02	1	15.2	11.8	Nylon/8	13.5 small/ 15.4 large
3.8L (232) SEFI V-6	Std.	Auto.	511	17.08	29.9	1.02	1	15.2	12.3	Nylon/8	13.5 small/ 15.4 large

AUXILIARY AUTOMATIC TRANSAXLE OIL COOLER APPLICATIONS

Engine	Transaxle	Cooler Type	Availability
3.0L (182) SEFI V-6	AX4S	Oil to Engine Coolant	Std.
3.8L (232) SEFI V-6	AX4S	Oil to Engine Coolant	Std.

Fuel System

FUEL SYSTEM DATA

Electronic Fuel Injection	Sequential — 3.0L / 3.8L V-6
Fuel Pump	Single Electric — In-Tank High Pressure
Fuel Filter	In-Line Large Capacity
Air Cleaner	Dry Element, Replaceable

Steering

STEERING SPECIFICATIONS

Wheelbase (in.)	Power Steering		Turning Diameter (ft.) ⁽¹⁾	
	Gear Ratio Overall	On Center Ratio	Curb-to-Curb	Wall-to-Wall
120.7	16.1:1	16.2:1	39.3	—

(1) Average of left and right turns using standard tires.

Suspensions

FRAME SPECIFICATIONS

NOTE: Ford Windstar Wagon has a unitized frame/body construction.

SHOCK ABSORBER SPECIFICATIONS

Usage	Front Struts			Rear Shocks		
	No. Used	Piston Dia. (in.)	Type	No. Used	Piston Dia. (in.)	Type
Std.	2	1.26	Gas-Pressurized, Hydraulic	2	1.19	Gas-Pressurized, Hydraulic

Suspensions cont'd

SPRING SPECIFICATIONS — FRONT COIL

Drive-Type	Combined Rating @ Ground (lbs.)	Norm. Working Height of Spring (in.)	Inside Diameter (in.)	Wire Diameter (in.)	Deflection Rate @ Wheel (lbs. per in. ea.)	Rating Each @ Pad (lbs. per spring)
2WD Frt.	2671	10.4	6.03	.622	148	—
	2740	10.4	6.03	.634	148	—
	2809	10.4	6.03	.634	148	—
	2900	10.4	6.03	.634	148	—

SPRING SPECIFICATIONS — REAR COIL

Wheelbase (in.)	Combined Rating @ Ground (lbs.)	Spring Height @ Rated Load (in.)	Inside Dia. (in.)	Wire Dia. min./max. (in.)	Deflection Rate @ Wheel (lbs. per in. each)		Rating Each @ Pad (lbs. per spring)
					Initial Rate	Final Rate	
120.7	2574	11.9	4.29	.409/.568	140	185	—
	2654	11.9	4.29	.409/.568	140	185	—
	2800	11.9	4.29	.409/.568	140	185	—

Tires and Wheels

TIRE SPECIFICATIONS

Size	Rim Width (in.)	Section Width (in.)	Load Rating	Maximum Inflation Pressure (psi)	Load Limits @ Maximum Inflation Pressure (lbs.)	Static Loaded Radius (in.)	Revolutions Per Mile @ 45 mph
T135/90R15 ⁽¹⁾	4.0	5.98	Std.	60	1603	11.2	836
P205/70R15 ⁽²⁾	6.0	9.06	Std.	35	1363	12.0	787
P215/70R15 ⁽²⁾	6.5	9.57	Std.	35	1472	12.1	775
P225/60R16	6.5	9.88	Std.	35	1463	12.1	774

(1) Limited Service spare.

(2) All-Season tread.

WHEEL SPECIFICATIONS

Wheel Type	Wheel Size	Nominal Offset (in.)	No. of Studs	Bolt Circle (in.)	Max. Wheel Capacity Load (lbs. @ ground)
Stamped-Steel	15" x 4.0" T ⁽¹⁾	0.66	5	4.25	1450
	15" x 6.0" JJ	1.65	5	4.25	1405 ^o
Aluminum	15" x 6.5" JJ	1.65	5	4.25	1450
Aluminum	16" x 6.5" JJ	1.65	5	4.25	1450

(1) Limited Service spare.

Transaxles

AUTOMATIC TRANSAXLE SPECIFICATIONS

Make/Type	Ford AX4S (4-Speed Overdrive)
Ratios (to 1):	
1st	2.77
2nd	1.54
3rd	1.00
4th-OD	0.69
Reverse	2.26
Lubricant Capacity (quarts)	13.3
Converter Max. Torque Ratio	2.3
Helical Gears	All
Oil Cooler	Water